



SLPS – Maintenance Standards

05/03/2022 (rev.09/30/2025)

INDEX

Div 01 – General

Div 02 – Site

Div 03 – Concrete

Div 04 – Masonry

Div 05 – Metals

Div 06 – Wood & Plastics

Div 07 – Thermal & Moisture Protection

Div 08 – Doors & Windows

Div 09 – Finishes

Div 10 – Specialties

Div 11 – Equipment

Div 12 – Furnishings

Div 13 – Special Construction

Div 14 – Conveying Systems

Div 15 – Mechanical / Plumbing

Div 16 – Electrical

DIVISION 1 – GENERAL

This section intentionally left blank.

DIVISION 2 – SITE

2.1 – Outdoor Courts:

- Recommended surface for outdoor basketball courts shall be asphalt with (thermoplastic/elastomeric?) lines.
- Recommended surface for outdoor tennis courts shall be green acrylic with white lines.

2.2 – Fences:

- Site fences shall be 6' high non-coated aluminum chain link.
- Tie wires shall be steel, same gage as aluminum mesh (No aluminum ties).
- Posts shall be placed in minimum 2' deep x 12" wide concrete.

2.3 – Landscape:

- Sod for athletic fields shall be Bermuda grass while sod for campus grounds shall be Bahia grass.
- Self-shedding palms are ideal (Christmas, Foxtail, Alexander, Royal Palms).
- Slow growing hedges are preferred (Green Island Ficus, Boxwoods, Viburnum, Crotons, Juniper).

2.4 – Irrigation:

- Recommended irrigation system shall be by Irrigation Craft while the controls shall be by Rainbird.

DIVISION 3 – CONCRETE

3.1 - Concrete Steps:

- When interior steps are formed in concrete at spaces such as band and music rooms, a small radius trowel shall be used to finish the edge (required for gluing the edging).

3.2 – Concrete Slabs:

- All concrete slabs, including exterior sidewalks, shall have vapor barrier with WWM.
- All control joints in concrete slabs shall be hand tooled.

DIVISION 4 – MASONRY

This section intentionally left blank.

DIVISION 5 – METAL

This section intentionally left blank.

DIVISION 6 – WOODS & PLASTICS

This section intentionally left blank.

DIVISION 7 – THERMAL & MOISTURE PROTECTION

7.1 – Roofing:

- Recommended roofing shall be Built-up roof by Suprema with a torch applied granulated surface.

7.2 Acoustic Ceiling Tiles

- ACT shall be 2x4x5/8 Saint Gobain HHF-197 by CertainTeed.

DIVISION 8 – WINDOWS AND DOORS

- See attached Exhibit A for Specifications
- Access control panic bars shall have actuators.
- Continuous hinges shall be adjustable.
- Interior or aluminum door frames shall not have Spring Cush-n-Stop arms.
- It is recommended to have Courtyard entry doors with ballard between doors.
- T 145 or T 135 restricted keyways per SLPS key system chart.

DIVISION 9 – FINISHES

9.1 – Painting:

- Recommended paints shall be as below:
 - Sherwin Williams Multi-surface Acrylic (metal surfaces and interior walls)
 - Sherwin Williams Latitude (exterior surfaces)
 - Sherwin Williams Super Paint (exterior surfaces)
 - Sherwin Williams Pre-catalyzed Epoxy Latex (interior walls)
 - PPG Break Through (metal surfaces)
 - PPG Pitt-Tech (metal surfaces)
 - PPG Sun Proof (exterior surfaces)
 - PPG Acri-Shield (exterior surfaces)
- SLPS Standard Colors are:
 - SW 7070 (Site White)
 - SW 6001 (Grayish)
 - SW 7072 (Online Grey)
 - SW 7657 (Tinsmith)
 - SW 6070 (Heron Plume)
 - SW 7601 (Dockside Blue)
 - SW 6524 (Commodore Blue)
 - SW 6328 (Fireweed)

- SW 6447 (Evergreen)
- SW 7656 (Rhinstone)
- PPG 1209-2 (Sausalito)
- PPG 1085-2 (Bone White)
- PPG 541-2 (Glistening White)

9.2 – Flooring:

- Recommended vinyl base and stair treads shall be Roppe (color 177 Steel Blue)
- Recommended VCT shall be Armstrong Imperial Texture.
- SLPS Standard VCT colors are:
 - 51933 (Blue Cloud) – Main Body
 - 51839 (Fortress White) – Main Body
 - 51911 (Classic White)
 - 51904 (Sterling)
 - 51910 (Black)
 - 57517 (Bodacious Blue)
 - 51880 (Maraschino)
- Recommended manufacturers of LVT Flooring shall be Armstrong Vivero, Interface Textured Wood Grains, or Tarkett Event Series.
- Recommended LVT locations shall be administration areas, media centers, lobbies, and offices.
- SLPS Standard LVT colors are:
 - Gallery Oak Cinnamon (Armstrong Vivero – U1032)
 - Grey Dune (Interface Textured woodgrains)
 - Cool Impala (Interface Natural Stones)
 - Provence 2131 (Tarkett Event Series)
- Band and chorus rooms shall receive carpet flooring.
- Auditorium floors shall be carpet in the aisle and painted concrete under the seating.
- Recommended carpet tile shall be Offset Magnetic Black by Tarkett.

9.3 – Cabinetry:

- Recommended manufacturer for laminate counters and cabinetry shall be Wilsonart (colors TBD).

9.4 – Tile:

- Quarry tile is recommended for kitchen floors (colors TBD).

DIVISION 10 – SPECIALTIES

10.1 – Toilet Partitions

- Partitions shall be solid core phenolic panels (color Black Stone or similar).
- Provide 2x6 blocking in walls for all toilet partitions.
- Toilet partition doors shall have continuous self-closing hinges.
- Aluminum Tee's shall be used when toilet partitions meet walls.
- Fasteners for toilet partitions shall be security screws.

- It is recommended to have a removable screen under all sink countertops.

10.2 – Stage Curtains:

- Recommended manufacturer shall be Luxout.

10.3 – Gym Bleachers, Divider Curtains, and Retractable Backboards.

- It is recommended for operable equipment in the gym to have a handheld remote for maintenance.
- When operable equipment in the gym has a wall switch, it is recommended to use a double throw switch instead of a key. The wall switch shall be placed within a lock box.

10.4 – Signage.

- Room signs shall be as shown on attached Exhibit F.
- Occupant sign for media center shall be determined by fully loaded space.
- Occupant sign for Cafeteria and Gym shall include both occupant loads for fixed and non-fixed seating.

DIVISION 11 – EQUIPMENT

This section intentionally left blank.

DIVISION 12 – FURNISHINGS

This section intentionally left blank.

DIVISION 13 – SPECIAL CONSTRUCTION

This section intentionally left blank.

DIVISION 14 – CONVEYING SYSTEMS

14.1 – Elevators:

- Recommended manufacturer for elevators shall be Thyssenkrupp.
- Preferred elevator type shall be hydraulic with a separate machine room for safety during maintenance. However, a machine-less room elevator is acceptable when space is limited.

DIVISION 15 – MECHANICAL / PLUMBING

15.1 – HVAC / Thermal Storage Facility:

- Recommended chillers shall be Trane Centrifugal chillers.
- Recommended type of thermal storage tanks shall be Calmac.
- Recommended cooling towers shall be Marley, crossflow cooling towers.

- Campus wide piping shall be HDPE and HDPP (ISCO & Aquatherm are approved manufacturers).
- Coolant shall be Glycol, food grade polypropylene.
- It is recommended to incorporate the third chiller (for EHPA) to be part of daily site cooling equation.

15.2 – HVAC / Airside:

- AHUs shall be stacked/modular by Trane or equivalent.
- AHU shall be able to achieve Ashrae's 15 Deg Delta T.
- AHU shall be able to accommodate Merv 13-14 rated return air filtering.
- VAVs shall be fan assist.
- Recommended VFDs for all AHUs and pumps shall be ABB.
- AHUs shall include bipolar ionization devices.

15.3 – Building Automation System:

- BAS system shall be Trane, Siemens, or ABB.
- Energy valves on all AHUs and control valves for the chiller plant shall be by Bellimo.

15.4 – Kitchen Appliances:

- It is recommended to have gas appliances if available due to reduced maintenance.
- Kitchen and culinary hot water supply is preferred to be gas tank water heater, rather than tankless.

15.5 – Plumbing:

- It is recommended to install any water heaters on the floor rather than a floating platform.
- It is recommended for all custodial closets to have an electric tankless water heater. Suggested manufacturer is Stebile Eltron connected with unions for easy access. (see attached Exhibit B)
- It is recommended to have the main shutoff valve located inside the building rather than buried in the exterior meter box.
- If any water main valve has to be placed outside, it should be placed in concrete or compatible box for protection and access.
- Main water system for each building is recommended to be a manifold system. (see attached Exhibit C)
- Shutoff valves are recommended to be placed below the ceiling in a locked valve box within a maintenance or custodial room for easy access. Any shutoff valves located within the ceiling shall have highly visible location markers on walls or ceiling tiles.
- Shutoff valves for all faucets shall be a key stop style.
- If possible, provide additional shutoff valves at midpoint within building to avoid shutting down entire building to perform work.
- Electric and water in hi-lo drinking fountains shall be installed in upper unit while drain shall be installed in lower unit.
- Waterless urinals are not recommended.
- Wall mounted toilets are not recommended.
- All bathroom floor drains are to be fed by toilet fed trap primers. (see attached Exhibit D)
- All shower valves are recommended to be Moen. Faucets are recommended to be single handle Moen 8884.
- Consider providing a central hose station in a few fenced in locations along the exterior of the campus. (see attached Exhibit E)

15.6 – Fire Sprinkler System:

- Sprinklers shall be flexible heads.
- It is recommended to avoid designing fire sprinkler system with a fire pump.

DIVISION 16 – ELECTRICAL

16.1 – Intercoms:

- Recommended manufacturer shall be Rauland TCU.

16.2 – Lightning Detection System:

- Recommended manufacturer shall be Thorgaurd.

16.3 – Burglar Alarm:

- Recommended manufacturer shall be DSC Power Series Pro.
- Burglar alarm devices shall be motion sensors in lieu of door contacts.
- All buildings shall be on main panel with expanders for additional zones.
- Arming stations shall be located at each building.
- Cable can be free wire in ceiling but requires a conduit within walls for each motion sensor device.

16.4 – Fire Alarm:

- Recommended manufacturer shall be Notifier model NFS2-3030.
- System is required to have voice evacuation throughout campus.
- Suggested location for panel shall be within EHPA.
- It is recommended to use red conduit for fire alarm wiring.

16.5 – Access Controls:

- Recommended manufacturer shall be Security Expert by Schneider Electric.
- Recommended proximity readers shall be 5359CK100.

16.6 – Theater:

- Recommended sound system is Worx Audio Personis.
- Recommended lighting operating system is Strand.

16.7 – Light Fixtures:

- Recommended lights shall be Columbia CBT24-LSCS 2x4 LED lay-in fixtures.
- Recommended manufacturer for parking lot lights shall be RAB LED fixtures on a metal pedestal.
- Recommended Lithonia TWR LED Wall Packs & LEDVANCE Mini Wall Packs for Canopy Lighting.
- SLPS to provide 3 approved products to avoid listing “per equal” within bid specifications.
- It is suggested to avoid occupant sensors as much as possible. They cause problems when classroom lights are turned off when using projectors.

16.8 – Electrical Panel:

- Recommended breaker shall be Square-D in lieu of Siemens due to serviceability.

16.8 – Generator:

- No recommendations for generator manufacturers but other school sites use Kohler and Generac.
- Generators shall be supplied by natural gas if available.

16.9 – Cameras:

- Recommended camera manufacturers shall be Vigilon.

16.10 – Marquees:

- Marquees shall be LED connected with cellular connection and SignCommand software.
- Common LED panel size is 96"x224".

16.11 – Projectors:

- Classrooms need to have a junction box in ceiling with power within 12' to 14' from center of teaching wall.
- Recommended projector manufacturer is Epson Powerlight 992F with wifi.

FINISH HARDWARE
Section 08710

PART I - GENERAL

1.01 WORK INCLUDED

- A. The work in this section shall include furnishing of all items of finish hardware as hereinafter specified or obviously necessary to complete the building, except those items that are specifically excluded from this section of the specification.

1.02 RELATED WORK SPECIFIED ELSEWHERE

- A. Hollow Metal Doors and Frames
- B. Aluminum Doors and Frames
- C. Wood Doors and Frames

1.03 DESCRIPTION OF WORK

- A. Furnish labor and material to complete hardware work indicated, as specified herein, or as may be required by actual conditions at building.
- B. Include all necessary screws, bolts, expansion shields, other devices, if necessary, as required for proper hardware application. The hardware supplier shall assume all responsibility for correct quantities.
- C. All hardware shall meet the requirements of Federal, State and Local codes having jurisdiction over this project, notwithstanding any real or apparent conflict therewith in these specifications.

D. FIRE-RATED OPENINGS:

- 1. Provide hardware for fire-rated openings in compliance with A.I.A. (NBFU) Pamphlet No. 80, NFPA Standards NO. 101, UBC 702 (1997) and UL10C. This requirement takes precedence over other requirements for such hardware. Provide only hardware that has been tested and listed by UL for the types and sizes of doors required, and complies with the requirements of the door and door frame labels.
- 2. Where panic exit devices are required on fire-rated doors, provide supplementary marking on door UL label indicating Fire Door to be equipped with fire exit hardware and provide UL label on exit device indicating "Fire Exit Hardware".

E. FASTENERS:

- 1. Hardware as furnished shall conform to published templates generally prepared for machine screw installation.
- 2. Furnish each item complete with all screws required for installation. Typically, all exposed screws installation.

3. Insofar as practical, furnished concealed type fasteners for hardware units that have exposed screws shall be furnished with Phillips flat head screws, finished to match adjacent hardware.
3. Door closers and exit devices to be installed with closed head through bolts (sex bolts).

1.04 QUALITY ASSURANCE

- A. The supplier to be a directly franchised distributor of the products to be furnished and have in their employ an AHC (Architectural Hardware Consultant). This person is to be available for consultation to the architect, owner and the general contractor at reasonable times during the course of work.
- B. The finish hardware supplier shall prepare and submit to the architect six (6) copies of a complete schedule identifying each door and each set number, following the numbering system and not creating any separate system himself. He shall submit the schedule for review, make corrections as directed and resubmit the corrected schedule for final approval. Approval of schedule will not relieve Contractor of the responsibility for furnishing all necessary hardware, including the responsibility for furnishing correct quantities.
- C. No manufacturing orders shall be placed until detailed schedule has been submitted to the architect and written approval received.
- D. After hardware schedule has been approved, furnish templates required by manufacturing contractors for making proper provisions in their work for accurate fitting, finishing hardware setting. Furnish templates in ample time to facilitate progress of work.
- E. Hardware supplier shall have an office and warehouse facilities to accommodate the materials used on this project. The supplier must be an authorized distributor of the products specified.
- F. **The hardware manufactures are to supply both a pre-installation class as well as a post-installation walk-thru. This is to insure proper installation and provide for any adjustments or replacements of hardware as required.**

1.05 DELIVERY, STORAGE, AND HANDLING

- A. Wrap, protect finishing hardware items for shipment. Deliver to manufacturing contractors hardware items required by them for their application; deliver balance of hardware to job; store in designated location. Each item shall be clearly marked with its intended location.

1.06 WARRANTY

- A. The material furnished shall be warranted for one year after installation or longer as the individual manufacturer's warranty permits.
- B. Overhead door closers shall be warranted in writing by the manufacturer against failure due to defective materials and workmanship for a period of ten (10) years commencing on the Date of Final Completion and Acceptance, and in the event of failure, the manufacture is to promptly repair or replace the defective with no additional cost to the Owner.

PART II - PRODUCTS

2.01 ACCEPTABLE MANUFACTURERS

- A. To the greatest extent possible, obtain each kind of hardware from only one manufacturer.
- B. All numbers and symbols used herein have been taken from the current catalogues of the following manufacturers.

PRODUCT	ACCEPTABLE MANUFACTURER	ACCEPTABLE SUBSTITUTE
1) Hinges	Hager	Ives, Stanley
2) Pivots	LCN	Dor-O-Matic
3) Locks & Latches	Schlage	None (No Substitution)
4) Cylinders, Keys, Keying	Schlage Everest	None (No Substitution)
5) Exit Devices	Von Duprin	None (No Substitution)
6) Door Closers	LCN	Corbin/Russwin
7) OH Stops/holders	Glynn Johnson	Rixson
8) Magnetic Hold Opens	LCN	Dor-O-Matic
9) Wall Stops/Floor Stops, Flushbolts	Glynn Johnson	Rockwood, Ives
10) Kick Plates	Rockwood	Quality, Ives
11) Threshold/Weather-strip	National Guard	Pemko, Zero
12) Silencers	Glynn Johnson	Rockwood, Ives
13) Key Cabinet	Tel-Key	Lund, Key Control

- C. If material manufactured by other than that specified or listed herewith as an equal, is to be bid upon, permission must be requested from the architect seven (7) days prior to bidding. If substitution is allowed, it will be so noted by addendum.

2.02 FINISH OF HARDWARE:

- A. Exterior Hinges to be Stainless Steel (32D), Interior Hinges to be Satin Chrome (26D). Door Closers to be Aluminum. Locks to be Satin Chrome (26D), Exit Devices to be Satin Chrome (26D). Overhead Holders to be Satin Chrome (26D), Flat Goods to be Satin Chrome (26D) or Stainless Steel (32D) and the Thresholds to be Mill Finish Aluminum.

2.03 HINGES AND PIVOTS:

- A. Exterior butts shall be Stainless Steel. Butts on all out swinging doors shall be furnished with non-removable pins (NRP).
- B. Interior butts shall be as listed.
- C. Doors 5' or less in height shall have two (2) butts. Furnish one (1) additional butt for each 2'6" in height or fraction thereof. Dutch door shall have two (2) butts per leaf.

2.04 KEYING:

- A. All locks and cylinders shall be Schlage Everest "T145 or T135 restricted key system, all bittings shall be issued by Schlage Lock.
- B. All locks and cylinders to be construction master keyed in a manner that does not require the cylinders to be removed.
- C. Provide Three (3) each change keys per lock and Six (6) each grand master, master keys and construction master keys.. All keys to be **Patent Restricted**, stamp "DO NOT DUPLICATE"

2.05 LOCKSETS:

- A. Locks shall meet these certifications:
 - 1. Cylindrical Locks - ANSI A156.2 Series 4000, Grade 1 Strength and Operational requirements. Meets A117.1 Accessibility Codes. Latch bolts shall be steel with minimum ½" throw, deadlocking on keyed and exterior functions. ¾" throw anti-friction latchbolt on pairs of fire doors. Strikes: Provide manufacturer's standard wrought box strike for each latch or lock bolt, with curved lip extended to protect frame. Locksets to be tested to exceed 3,000,000 cycles. Lock case shall be steel. Lock shall incorporate one piece spring cage and spindle. Provide 5/8" minimum throw of latch and deadbolt used on pairs of doors. Provide Seven Year Warranty.
 - 2. Lock design shall be Schlage ND series "RHO" design.
 - 3. Mortise Locks – ANSI A156.13, 1994, Grade 1 Operational, Grade 2 Security, ANSI/ASTM F476-76 Grade 30, UL listed. Levers shall be forged brass, bronze, or cast stainless steel, 93 lever design extruded brass, bronze or stainless steel. Meets A117.1 Accessibility Codes. Steel Case with ¾" throw stainless steel anti-friction latchbolt and a 1" throw stainless steel deadbolt. Lock case shall be field reversible, without opening the lock chasis and universal chasis to accept both knob and lever functions. Lock trim shall incorporate individual lever support springs in each rose or escutcheon. Lever connection by attaching threaded bushings tightened by a spanner wrench. Threaded set screws will not be accepted. Lock spindles shall be two independent inside and outside spindles to prevent manipulation of lock. Strikes: Provide manufacturer's standard wrought box strike for each latch or lock bolt, with curved lip extended to protect frame. Lock design shall be Schlage L9000 series 06A design.
 - 4. All classroom entry locks to be storeroom function
 - 5. All deadbolt, mortise and rim cylinders to be LFIC
 - 6. All lever locks to be non I/C core
 - a. Acceptable substitutions: None (No Substitution)

2.06 EXIT DEVICES:

- A. All devices shall be Von Duprin 98 series in types and functions specified. All devices must be listed under "Panic Hardware" in accident equipment list of Underwriters Laboratories. All labeled doors with "Fire Exit Hardware" must have labels attached and be in strict accordance with Underwriters Laboratories.

- B. All exit devices shall be tested to ANSI/BHMA A156.3 test requirements by a BHMA certified testing laboratory. A written certification showing successful completion of a minimum of 1,000,000 cycles must be provided.
 - C. All surface strikes shall be roller type and come complete with a plate underneath to prevent movement. And shall be provided with a dead-latching feature to prevent latchbolt tampering.
- 1. Acceptable substitutions:
 - A. None (No Substitution)

2.07 DOOR CLOSERS:

- A. All closers shall be LCN 4000 series having non-ferrous covers, forged steel arms separate valves for adjusting backcheck, closing and latching cycles and adjustable spring to provide up to 50% increase in spring power. Closers shall be furnished with parallel arm mounted on all doors opening into corridors or other public spaces and shall be mounted to permit 180 degrees door swing wherever wall conditions permit. Furnish with non-hold open arms unless otherwise indicated.
- B. Door closer cylinders shall be of high strength cast iron construction to provide low wear operating capabilities of internal parts throughout the life of the installation. All door closers shall be tested to ANSI/BHMA A156.4 test requirements by a BHMA certified testing laboratory. A written certification showing successful completion of a minimum of 10,000,000 cycles must be provided.
- C. Door closers shall utilize temperature stable fluid capable of withstanding temperature ranges of 120 degrees Fahrenheit to -30 degrees Fahrenheit, without requiring seasonal adjustment of closer speed to properly close the door. Closers for fire-rated doors shall be provided with temperature stabilizing fluid that complies with the standards UBC 7-2 (1997) and UL 10C.
- D. Door closers shall incorporate tamper resistant non-critical screw valves of V-slot design to reduce possible clogging from particles within the closer. Closers shall have separate and independent screw valve adjustments for latch speed, general speed, and hydraulic backcheck. Backcheck shall be properly located so as to effectively slow the swing of the door at a minimum of 10 degrees in advance of the dead stop location to protect the door frame and hardware from damage. Pressure relief valves (PRV) are not acceptable.

- 1. Acceptable substitutions:
 - A. Corbin/Russwin DC2200 x A3

2.08 TRIM AND PLATES:

- A. Kick plates, mop plates, and armor plates, shall be .050 gauge with 32D finish. Kick plates to be 8" high, mop plates to be 4" high. All plates shall be two (2) inches less full width of door.
- B. Push plates, pull plates, door pulls, and miscellaneous door trim shall be shown in the hardware schedule.

2.09 DOOR STOPS:

- A. Doorstops shall be furnished for all doors to prevent damage to doors or hardware from striking adjacent walls or fixtures. Wall bumpers equal to Glynn Johnson 60W Series are preferred, but where not practical furnish floor stops equal to Glynn Johnson FB13 or 17 and FB19X series. Where conditions prohibit the use of either wall or floor type stops, furnish surface mounted overhead stops equal to Glynn Johnson, 450 Series.

2.10 THRESHOLDS AND WEATHERSTRIP:

- A. Thresholds and weather-strip shall be as listed in the hardware schedule.

2.11 DOOR SILENCERS:

- A. Furnish rubber door silencers equal to Glynn Johnson GJ64 for all new interior hollow metal frames, (2) per pair and (3) per single door frame.

PART III - EXECUTION

3.01 INSTALLATION:

- A. All hardware shall be applied and installed in accordance with the Finish Hardware schedule. Care shall be exercised not to mar or damage adjacent work.
- B. Contractor to provide a secure lock-up for hardware delivered to the project but not yet installed. Control the handling and installation of hardware items that are not immediately replaceable, so that the completion of the work will not be delayed by hardware losses both before and after installation.
- C. **No hardware is to be installed until the hardware manufactures have provided a pre-installation class. This is to insure proper installation of the specified products.**

3.02 ADJUSTING AND CLEANING:

- A. Contractor shall adjust all hardware in strict compliance with manufacturer's instructions. Prior to turning project to owner, contractor shall clean and make any final adjustments to the finish hardware.

3.03 PROTECTION:

- A. Contractor shall protect the hardware, as it is stored on construction site in a covered and dry place.
- B. Contractor shall protect exposed hardware installed on doors during the construction phase.

3.04 KEY CABINET:

- A. Set up and index one (1) Key Cabinet that allows room for expansion for 150% of the number of keys for the project.

3.05 HARDWARE SCHEDULE:

- A. The following schedule is furnished for whatever assistance it may afford the contractor; do not consider it as entirely inclusive. Should any particular door or item be omitted in any scheduled hardware group, provide door or item with hardware same as required for similar purposes. Quantities listed are for each pair of doors or for each single door.
- B. This hardware schedule was prepared by.

Ingersoll Rand Security Technologies
735 W. SR 434, Suite H
Longwood, Fl 32750
Ph: 407-571-2000
Fax 407-571-2006

#12

STIEBEL ELTRON

Simply the Best

DHC Classic Single Sink Point-of-Use Sizing Guide

This guide shows possible point-of-use fixture or fixtures for use with each DHC. It is not intended for whole house sizing. Use actual achievable flow rates to determine if a particular model and size will deliver the temperature and flow rate required for the installed fixture.

FIXTURES & FLOW RATES

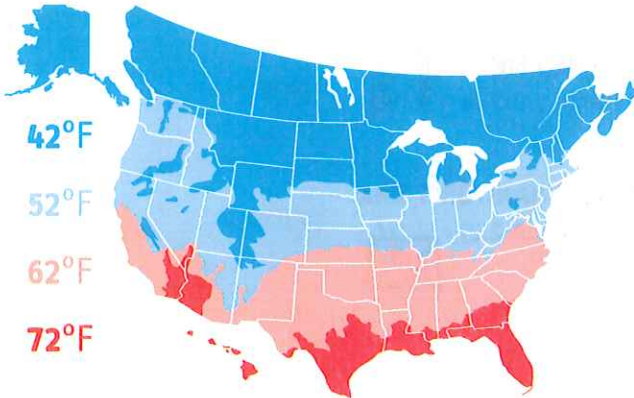
SHOWING POSSIBLE MODEL SUITABILITY

TEMP. FOR MAX. FLOW RATE CALCULATION

SINGLE LAV SINK
(Range 0.5-1.5)



90°F



Recommendations are correct if unit is installed with 240 V service. Increase one model size if unit will be installed with 208 V service.

Call Stiebel Eltron at 800.582.8423 if you have any sizing questions, or if you have an out-of-the-ordinary situation. Stiebel Eltron service representatives can make recommendations on sizing, or provide assistance with our water heaters, to both homeowners and professional installers.

	42°F	52°F	62°F	72°F
DHC 3-1 Classic MAX. FLOW RATE POSSIBLE FIXTURE TYPES	Min. activation 0.32 GPM 0.43 GPM 	0.54 GPM 	0.73 GPM 	1.14 GPM
DHC 3-2 Classic MAX. FLOW RATE POSSIBLE FIXTURE TYPES	Min. activation 0.32 GPM 0.47 GPM 	0.59 GPM 	0.81 GPM 	1.25 GPM
DHC 4-2 Classic MAX. FLOW RATE POSSIBLE FIXTURE TYPES	Min. activation 0.43 GPM 0.54 GPM 	0.68 GPM 	0.93 GPM 	1.44 GPM
DHC 4-3 Classic MAX. FLOW RATE POSSIBLE FIXTURE TYPES	Min. activation 0.43 GPM 0.64 GPM 	0.81 GPM 	1.10 GPM 	1.71 GPM
DHC 5-2 Classic MAX. FLOW RATE POSSIBLE FIXTURE TYPES	Min. activation 0.43 GPM 0.68 GPM 	0.86 GPM 	1.17 GPM 	1.82 GPM
DHC 6-2/6-3 Classic MAX. FLOW RATE POSSIBLE FIXTURE TYPES	Min. activation 0.48 GPM 0.85 GPM 	1.08 GPM 	1.46 GPM 	2.28 GPM

Scroll for more DHC models. ↓

DHC Classic Single Sink Point-of-Use Sizing Guide

This guide shows possible point-of-use fixture or fixtures for use with each DHC. It is not intended for whole house sizing. Use actual achievable flow rates to determine if a particular model and size will deliver the temperature and flow rate required for the installed fixture.

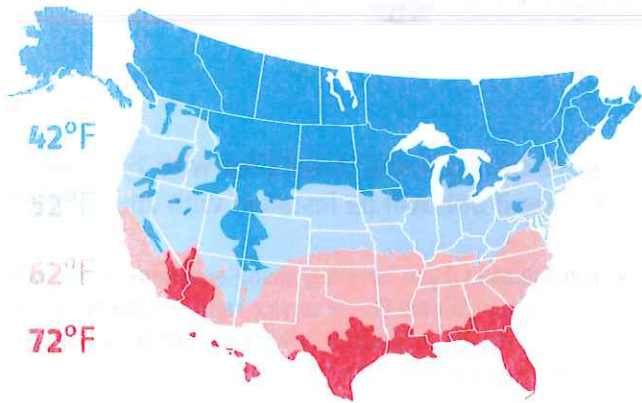
FIXTURES & FLOW RATES

SHOWING POSSIBLE MODEL SUITABILITY TEMP. FOR MAX. FLOW RATE CALCULATION

SINGLE LAV SINK  90°F
(Range 0.5-1.5)

KITCHEN SINK  120°F
(Range 1.0-2.2)

UTILITY/JANITOR'S SINK  120°F
(Range 1.0-2.2)



DHC 8-2 Classic

MAX. FLOW RATE
POSSIBLE FIXTURE TYPES

Min. activation 0.69 GPM

1.02 GPM



1.29 GPM



1.76 GPM



2.73 / 1.02 GPM



DHC 9-3 Classic

MAX. FLOW RATE
POSSIBLE FIXTURE TYPES

Min. activation 0.8 GPM

1.28 GPM



1.62 / 0.90 GPM



2.2 / 1.06 GPM



3.42 / 1.28 GPM



DHC 10-2 Classic

MAX. FLOW RATE
POSSIBLE FIXTURE TYPES

Min. activation 0.8 GPM

1.37 GPM



1.73 / 0.96 GPM



2.34 / 1.13 GPM



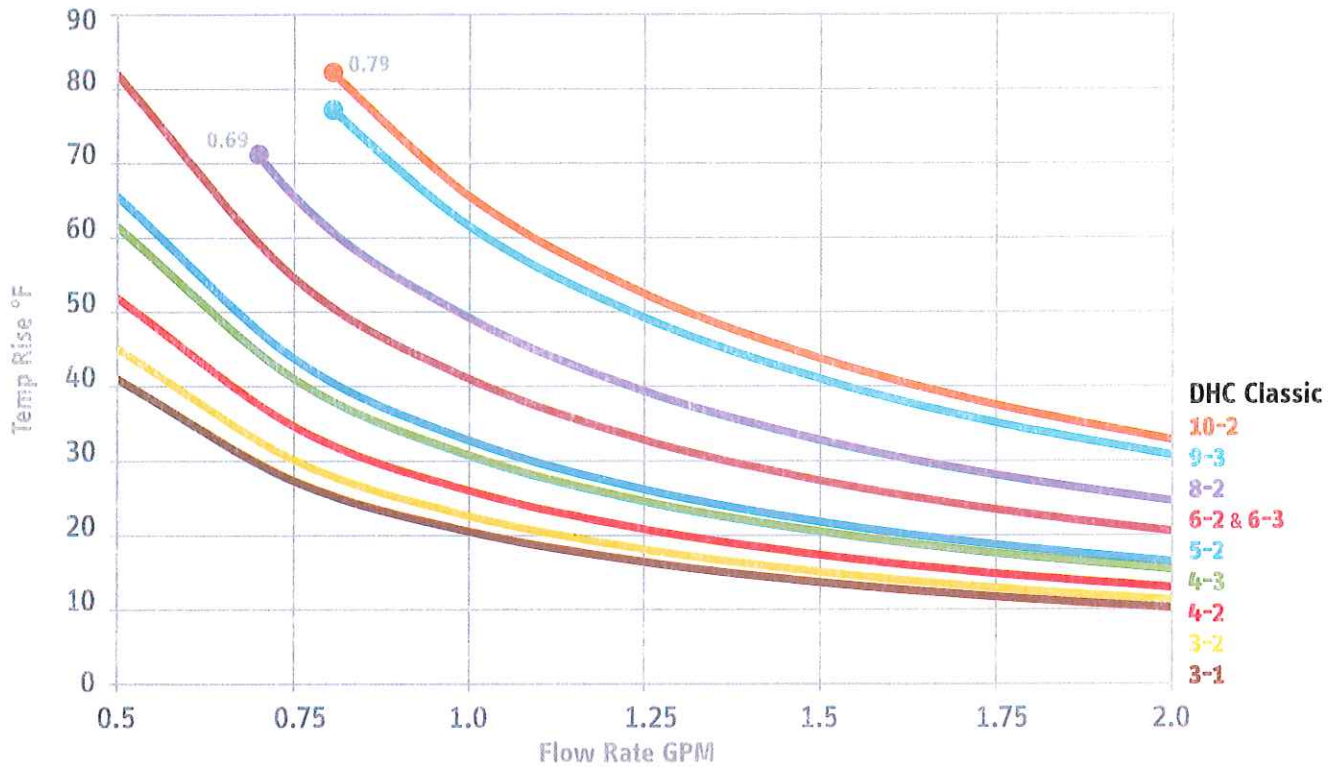
3.64 / 1.37 GPM



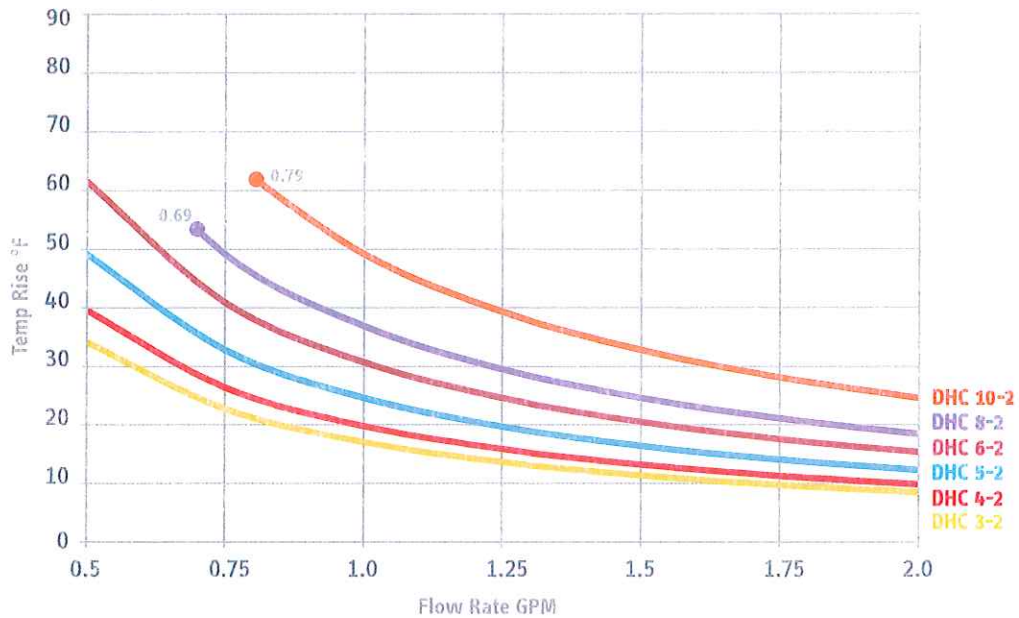
Scroll for temp rise charts. 

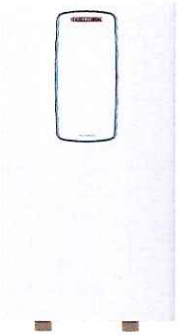
DHC Classic Single Sink Point-of-Use Sizing Guide

Temperature Rise vs. Flow Rate at Maximum Rated Voltage



Temperature Rise vs. Flow Rate at 208 V





STIEBEL ELTRON

120VV General Purpose Electric Tankless Water Heaters, 3,000 W Watts, 25 A Amps - Water Heaters

Item #61KM33
UNSPSC #40101825

Mfr. Model #~~DHC 3-1 CLASSIC~~
Catalog Page #N/A

Country of Origin Germany. Country of Origin is subject to change.

Your Price
\$218.47 / each

Qty
1

Add to Cart

Add Extended Protection Plan
for **\$65.79** / each

[Plan Details & Exclusions](#)

Setup Auto Reorder

Ship Pickup

Backordered, expected to arrive between **Thu. Mar 03 - Thu. Mar 17.**

Ship to 33414 | [Change](#)

Shipping Weight 7.6 lbs

[Ship Availability Terms](#)

[Add to List](#)

[Add to Quote](#)

Technical Specs

Item	Tankless Electric Water Heater	Voltage - Water Heaters	120V
Water Heater Design	Point-of-Use	Min. Flow Activation	0.32 gpm
Water Heater Application	General Purpose	Phase - Water Heaters	1
Commercial / Residential	Commercial	Temp. Range - Water Heaters	82 Degrees to 130 Degrees F
Watts - Water Heaters	3,000 W	Water Connection	1/2 in NPT
Amps - Water Heaters	25 A	Temp. Rise @ 0.5 GPM	41 Degrees F
Item - Water Heaters	Electric Tankless Water Heaters	Width	7 15/16 in
Temp. Rise @ 1.5 GPM	14 Degrees F	Depth	3 7/8 in
		Features	Hydraulically

Temp. Rise @ 2.0 GPM - Water Heaters	3 Degrees F
Temp. Rise @ 6.0 GPM	3 Degrees F
Temp. Rise @ 4.0 GPM	5 Degrees F
Elements	Copper-Clad
Wire Size	10/2 AWG
Height	14 3/16 in

Standards

Operation, Never Dry
 Fires and Fails
 Prematurely,
 Resettable Safety
 High Limit Switch,
 Superior Reliability

ANSI/UL Std. 499, ISO
 9001 Certified, Tested
 and Certified by Water
 Quality Association
 against NSF/ANSI 372

Compliance and Restrictions

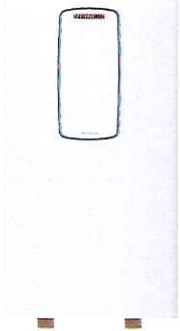
This product has been certified by a third party to be compliant with the "Safe Drinking Water Act" requirements for low lead in potable (human consumption - drinking and cooking) and non-potable water applications (non-human consumption).



This item is restricted for international sale.



WARNING Cancer and Reproductive Harm - www.P65Warnings.ca.gov



STIEBEL ELTRON

240V/208VV General Purpose Electric Tankless Water Heaters, 3,800 W Watts, 16 A Amps - Water Heaters

Item #61KM35
UNSPSC #40101825

Mfr. Model #DHC 4-2 CLASSIC
Catalog Page #N/A

Country of Origin Germany. Country of Origin is subject to change.

Your Price
\$218.47 / each

Qty
1

Add to Cart

Add Extended Protection Plan
for **\$65.79** / each

[Plan Details & Exclusions](#)

Setup Auto Reorder

Ship Pickup

Expected to arrive Fri. Feb 25.
Ship to 33414 | [Change](#)

Shipping Weight 6.4 lbs
[Ship Availability Terms](#)

[Add to List](#)

[Add to Quote](#)

Technical Specs

Item	Tankless Electric Water Heater	Voltage - Water Heaters	240V/208V
Water Heater Design	Point-of-Use	Min. Flow Activation	0.43 gpm
Water Heater Application	General Purpose	Phase - Water Heaters	1
Commercial / Residential	Commercial	Temp. Range - Water Heaters	82 Degrees to 130 Degrees F
Watts - Water Heaters	3,800 W	Water Connection	1/2 in NPT
Amps - Water Heaters	16 A	Temp. Rise @ 0.5 GPM	52 Degrees F
Item - Water Heaters	Electric Tankless Water Heaters	Width	7 15/16 in
Temp. Rise @ 1.5 GPM	18 Degrees F	Depth	3 7/8 in
		Features	Hydraulically

Temp. Rise @ 2.0 GPM - Water Heaters	10 Degrees F
Temp. Rise @ 6.0 GPM	4 Degrees F
Temp. Rise @ 4.0 GPM	5 Degrees F
Elements	Copper-Clad
Wire Size	12/2 AWG/14/2 AWG
Height	14 3/16 in

Standards

Operation, Never Dry
 Fires and Fails
 Prematurely,
 Resettable Safety
 High Limit Switch,
 Superior Reliability

ANSI/UL Std. 499, ISO
 9001 Certified, Tested
 and Certified by Water
 Quality Association
 against NSF/ANSI 372

Compliance and Restrictions

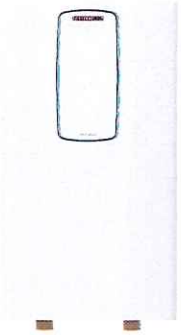
This product has been certified by a third party to be compliant with the "Safe Drinking Water Act" requirements for low lead in potable (human consumption - drinking and cooking) and non-potable water applications (non-human consumption).



This item is restricted for international sale.



WARNING Cancer and Reproductive Harm - www.P65Warnings.ca.gov



STIEBEL ELTRON

240V/208VV General Purpose Electric Tankless Water Heaters, 4,800 W Watts, 20 A Amps - Water Heaters

Item #61KM37
UNSPSC #40101825

Mfr. Model #DHC 5-2 CLASSIC
Catalog Page #N/A

Country of Origin Germany. Country of Origin is subject to change.

Your Price
\$218.47 / each

Qty
1

Add to Cart

Add Extended Protection Plan
for **\$65.79** / each

[Plan Details & Exclusions](#)

Setup Auto Reorder

Ship Pickup

Expected to arrive Fri. Feb 25.

Ship to 33414 | [Change](#)

Shipping Weight 6.95 lbs

[Ship Availability Terms](#)

[Add to List](#)

[Add to Quote](#)

Technical Specs

Item	Tankless Electric Water Heater	Voltage - Water Heaters	240V/208V
Water Heater Design	Point-of-Use	Min. Flow Activation	0.43 gpm
Water Heater Application	General Purpose	Phase - Water Heaters	1
Commercial / Residential	Commercial	Temp. Range - Water Heaters	82 Degrees to 130 Degrees F
Watts - Water Heaters	4,800 W	Water Connection	1/2 in NPT
Amps - Water Heaters	20 A	Temp. Rise @ 0.5 GPM	65 Degrees F
Item - Water Heaters	Electric Tankless Water Heaters	Width	7 15/16 in
Temp. Rise @ 1.5 GPM	22 Degrees F	Depth	3 7/8 in
		Features	Hydraulically

Temp. Rise @ 2.0 GPM - Water Heaters	12 Degrees F
Temp. Rise @ 6.0 GPM	5 Degrees F
Temp. Rise @ 4.0 GPM	8 Degrees F
Elements	Copper-Clad
Wire Size	12/2 AWG
Height	14 3/16 in

Standards


Operation, Never Dry
 Fires and Fails
 Prematurely,
 Resettable Safety
 High Limit Switch,
 Superior Reliability

ANSI/UL Std. 499, ISO
 9001 Certified, Tested
 and Certified by Water
 Quality Association
 against NSF/ANSI 372

Compliance and Restrictions

This product has been certified by a third party to be compliant with the "Safe Drinking Water Act" requirements for low lead in potable (human consumption - drinking and cooking) and non-potable water applications (non-human consumption).

 This item is restricted for international sale.

 **WARNING** Cancer and Reproductive Harm - www.P65Warnings.ca.gov

#12

STIEBEL ELTRON

Simply the Best

Mini™ & Mini™-E Handwashing Sink Sizing Guide

This guide shows possible point-of-use fixture or fixtures for use with each Mini™ or Mini™-E. It is not intended for whole house sizing. Use actual achievable flow rates to determine if a particular model and size will deliver the temperature and flow rate required for the installed fixture.

FIXTURES & FLOW RATES

SHOWING POSSIBLE MODEL SUITABILITY

TEMP. FOR MAX. FLOW RATE CALCULATION

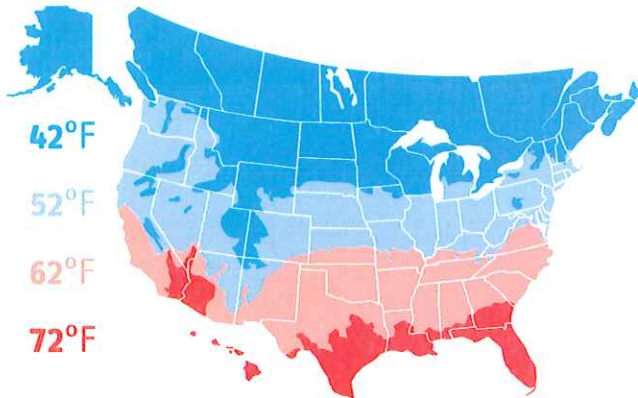
SINGLE LAV SINK
(Range 0.5-1.5)



90°F



MULTIPLE SINKS
Number varies



Recommendations are correct if unit is installed with 240 V service. Increase one model size if unit will be installed with 208 V service.

Call Stiebel Eltron at 800.582.8423 if you have any sizing questions, or if you have an out-of-the-ordinary situation. Stiebel Eltron service representatives can make recommendations on sizing, or provide assistance with our water heaters, to both homeowners and professional installers.

42°F

52°F

62°F

72°F

Mini™/Mini™-E 2-1

Min. activation 0.21 GPM | Internally restricted to 0.32 / 0.40 GPM

MAX. FLOW RATE

0.26 GPM

0.32 GPM

0.32 / 0.40 GPM

0.32 / 0.40 GPM

POSSIBLE FIXTURE TYPES



Mini™/Mini™-E 2.5-1

Min. activation 0.40 / 0.30 GPM

MAX. FLOW RATE

0.34 GPM

0.43 GPM

0.59 GPM

0.91 GPM

POSSIBLE FIXTURE TYPES



Mini-E 2.5-1 only



Mini™/Mini™-E 3-1

Min. activation 0.40 / 0.30 GPM

MAX. FLOW RATE

0.43 GPM

0.54 GPM

0.73 GPM

1.14 GPM

POSSIBLE FIXTURE TYPES



Mini™/Mini™-E 3.5-1 OR Mini™/Mini™-E 4-2

Min. activation 0.40 / 0.30 GPM

MAX. FLOW RATE

0.50 GPM

0.63 GPM

0.85 GPM

1.33 GPM

POSSIBLE FIXTURE TYPES



Mini™/Mini™-E 6-2

Min. activation 0.77 / 0.48 GPM

MAX. FLOW RATE

0.81 GPM

1.02 GPM

1.39 GPM

2.16 GPM

POSSIBLE FIXTURE TYPES

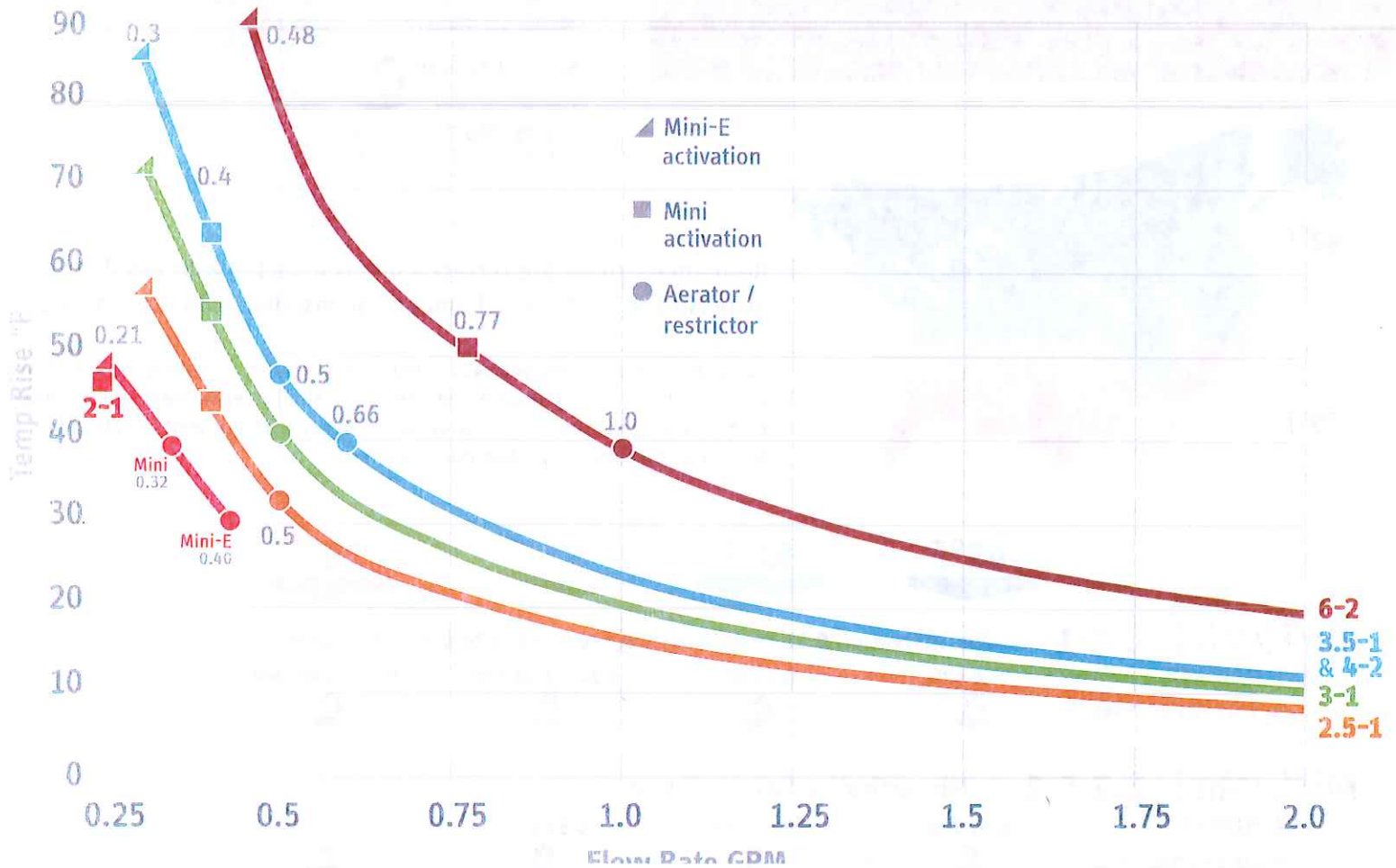


Mini-E 6-2
1 or 2 sinks

Scroll for temp rise chart ↓

Mini™ & Mini™-E Handwashing Sink Sizing Guide

Temperature Rise vs. Flow Rate at Max. Rated Voltage





STIEBEL ELTRON

120V Undersink Electric Tankless Water Heater, 3,500 W Watts, 31 A Amps - Water Heaters

Item #49X672
UNSPSC #40101825

Mfr. Model #MINI 3.5
Catalog Page #N/A

Country of Origin Germany. Country of Origin is subject to change.

Can be used as a point-of-use water heater, whole house water heater, booster, or back-up unit for solar thermal heating. Unit features an energy-efficient l [View More](#) ▾

Your Price
\$145.47 / each

Qty
1

Add to Cart

Setup Auto Reorder

Ship Pickup

Expected to arrive Wed. Feb 23.
Ship to 33414 | [Change](#)

Shipping Weight 4.8 lbs
[Ship Availability Terms](#)

[Add to List](#)

[Add to Quote](#)

Technical Specs

Item	Electric Tankless Water Heater	Watts - Water Heaters	3,500 W
Water Heater Design	Point-of-Use	Amps - Water Heaters	31 A
Water Heater Application	Undersink	Voltage - Water Heaters	120
Commercial / Residential	Commercial	Min. Flow Activation	0.4 gpm
Temp. Range - Water Heaters	82 Degrees to 130 Degrees F	Phase - Water Heaters	1
Water Connection	3/8 in Compression	Pressure Range	150 psi
		Wire Size	10 AWG
		Height	6 1/2 in

		Width	7 1/2 in
Item - Water Heaters	Electric Tankless Water Heater	Depth	3 1/4 in
Temp. Rise @ 1.5 GPM	16 Degrees F	Features	Advanced Nichrome Wire Heating Element, Come Complete with Wire Pigtail, Exclusive Design Prevents Dry Firing, Extremely Compact Design, German Engineered for Proven Reliability, Heater can be Mounted Up or Down Postition, High Limit Switch with Manul Reset
Temp. Rise @ 2.5 GPM - Water Heaters	10 Degrees F		
Temp. Rise @ 6.0 GPM	4 Degrees F		
Temp. Rise @ 4.0 GPM	6 Degrees F		
Temp. Rise @ 8.0 GPM	3 Degrees F		
		Standards	ANSI/UL Stdandard 499, Certified To CAN/CSA E335-1, E335-2-35
Elements	Bare Wire Nickel Chrome		
Mounting	Vertical		



STIEBEL ELTRON

208/240V Undersink Electric Tankless Water Heater, 2900/3500 Watts, 15.2 A Amps - Water Heaters

Item #49X673

Mfr. Model #MINI 4

UNSPSC #40101825

Catalog Page #N/A

Country of Origin Germany. Country of Origin is subject to change.

Can be used as a point-of-use water heater, whole house water heater, booster, or back-up unit for solar thermal heating. Unit features an energy-efficient t [View More](#) ▾

Your Price

\$142.12 / each

Qty
1

Add to Cart

Setup Auto Reorder

Ship Pickup

Expected to arrive Thu. Feb 24.
Ship to 33414 | [Change](#)

Shipping Weight 4.75 lbs

[Ship Availability Terms](#)

[Add to List](#)

[Add to Quote](#)

Technical Specs

Item	Electric Tankless Water Heater	Watts - Water Heaters	2900/3500
Water Heater Design	Point-of-Use	Amps - Water Heaters	15.2 A
Water Heater Application	Undersink	Voltage - Water Heaters	208/240
Commercial / Residential	Commercial	Min. Flow Activation	0.4 gpm
Temp. Range - Water Heaters	82 Degrees to 130 Degrees F	Phase - Water Heaters	1
Water Connection	3/8 in Compression	Pressure Range	150 psi
		Wire Size	12 AWG
		Height	6 1/2 in

		Width	7 1/2 in
Item - Water Heaters	Electric Tankless Water Heater	Depth	3 1/4 in
Temp. Rise @ 1.5 GPM	0.81 Degrees F	Features	Advanced Nichrome Wire Heating Element, Come Complete with Wire Pigtail, Exclusive Design Prevents Dry Firing, Extremely Compact Design, German Engineered for Proven Reliability, Heater can be Mounted Up or Down Position, High Limit Switch with Manual Reset
Temp. Rise @ 2.5 GPM - Water Heaters	0.8 Degrees F		
Temp. Rise @ 6.0 GPM	0.75 Degrees F		
Temp. Rise @ 4.0 GPM	0.83 Degrees F		
Temp. Rise @ 8.0 GPM	0.67 Degrees F		
		Standards	ANSI/UL Standard 499, Certified To CAN/CSA E335-1, E335-2-35
Elements	Bare Wire Nickel Chrome		
Mounting	Vertical		



STIEBEL ELTRON

208/240V Undersink Electric Tankless Water Heater, 4700/5700 Watts, 24.7 A Amps - Water Heaters

Item #49X674
UNSPSC #40101825

Mfr. Model #MINI 6
Catalog Page #N/A

Country of Origin Germany. Country of Origin is subject to change.

Can be used as a point-of-use water heater, whole house water heater, booster, or back-up unit for solar thermal heating. Unit features an energy-efficient heating

Your Price
\$145.47 / each

Qty
1

Add to Cart

[Add to List](#)

[Add to Quote](#)

Technical Specs

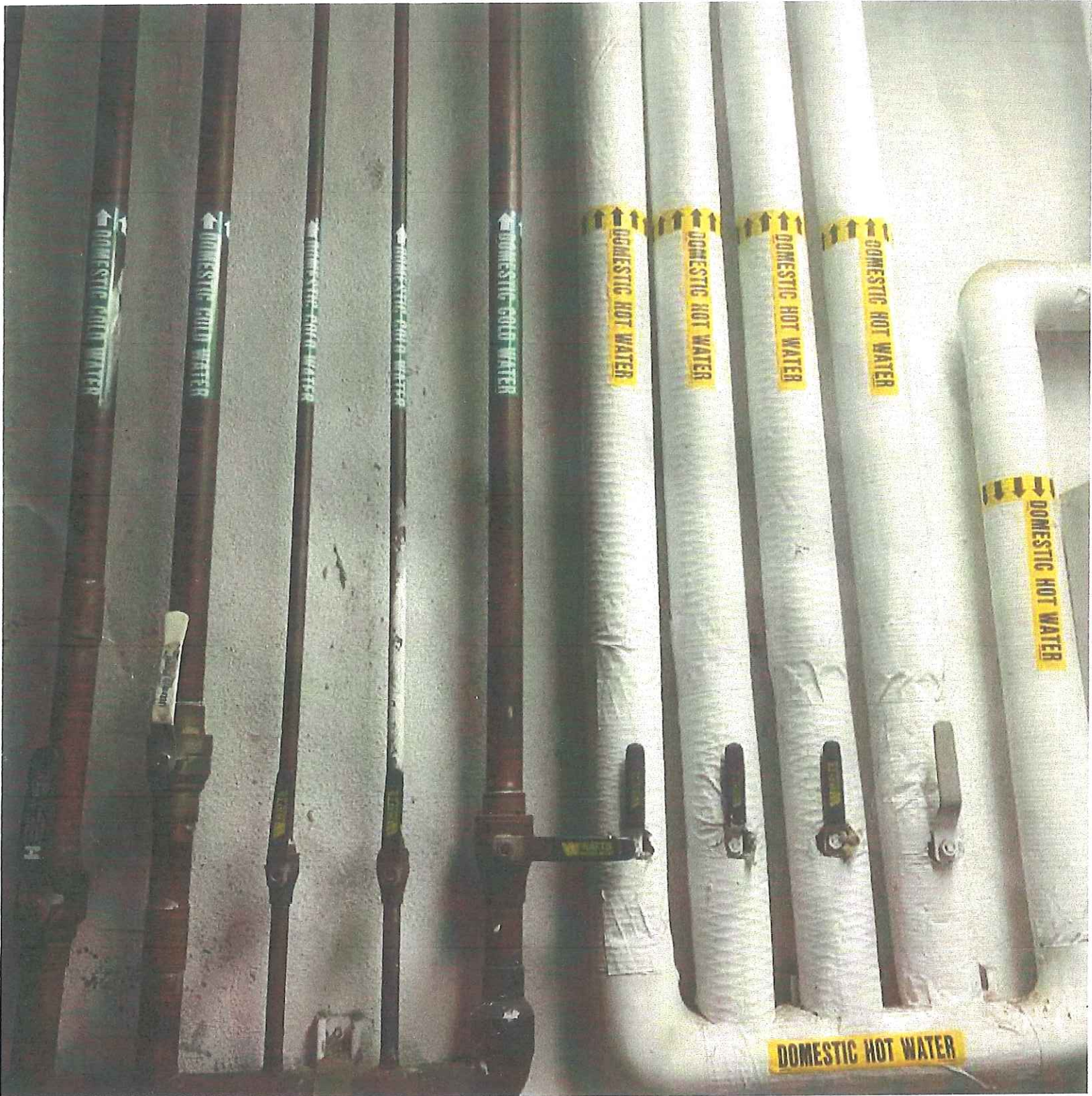
Item	Electric Tankless Water Heater	Watts - Water Heaters	4700/5700
Water Heater Design	Point-of-Use	Amps - Water Heaters	24.7 A
Water Heater Application	Undersink	Voltage - Water Heaters	208/240
Commercial / Residential	Commercial	Min. Flow Activation	0.77 gpm
Temp. Range - Water Heaters	82 Degrees to 130 Degrees F	Phase - Water Heaters	1
Water Connection	3/8 in Compression	Wire Size	10 AWG
		Height	6 1/2 in
		Width	7 1/2 in

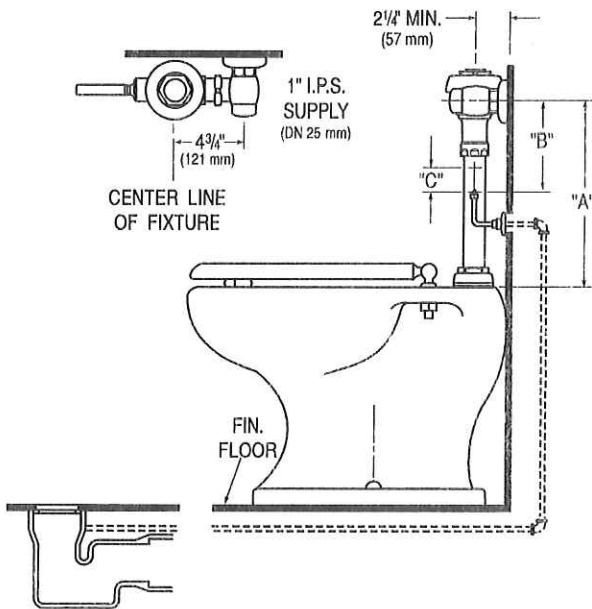
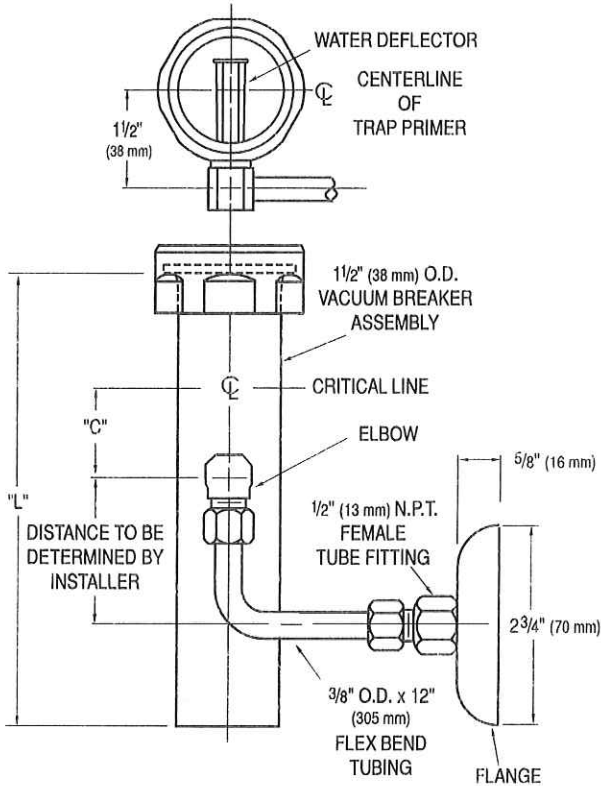
	water heater	Depth	3 1/4 in
Temp. Rise @ 1.5 GPM	0.81 Degrees F	Features	Advanced Nichrome Wire Heating Element, Come Complete with Wire Pigtail, Exclusive Design Prevents Dry Firing, Extremely Compact Design, German Engineered for Proven Reliability, Heater can be Mounted Up or Down Position, High Limit Switch with Manul Reset
Temp. Rise @ 2.5 GPM - Water Heaters	0.81 Degrees F		
Temp. Rise @ 6.0 GPM	0.83 Degrees F		
Temp. Rise @ 4.0 GPM	0.8 Degrees F		
Temp. Rise @ 8.0 GPM	0.8 Degrees F		
Elements	Bare Wire Nickel Chrome	Standards	ANSI/UL Standard 499, Certified To CAN/CSA E335-1, E335-2-35
Mounting	Vertical		
Pressure Range	150 psi		

#6



#6





Vacuum Breaker Trap Primer VBF-72-A

"TP" VARIATION

Description

VBF-72-A Vacuum Breaker Trap Primer. The Sloan® VBF-72-A Vacuum Breaker Trap Primer provides for a constant water seal in floor drains. Maintaining a trap seal prevents objectionable sewer gases from escaping into the air. Each time the Sloan® Flushometer is activated, a small amount of water is diverted to the floor drain (piping from Trap Primer to floor drain not supplied by Sloan). The VBF-72-A uses a patented Water Deflector that carefully regulates the amount of water diverted to the drain. This makes the VBF-72-A specially suited for use with 1.28 gpf (4.8 Lpf) High Efficiency, 1.6 gpf (6.0 Lpf) Low Consumption and 3.5 gpf (13.2 Lpf) Water Saver Flushometers.

Models

- VBF-72-A1 Supplied with Royal® Flushometers
- VBF-72-A2 Supplied with Regal®, Gem® and Naval® Flushometers

Specifications

Vacuum Breaker Trap Primer for use with exposed Flushometers. The VBF-72-A1 and VBF-72-A2 Trap Primers include:

- One Piece, Chrome Plated Flush Connection
- Water Deflector to control the amount of water diverted from the flush
- 3/8" Elbow and Flex-bend Tube connection from Vacuum Breaker to wall
- Diverter Wall Flange and Fittings
- Chrome Plated Wall Flange and Fitting to connect 1/2" NPT pipe

VBF-72-A1 Trap Primer also includes:

- High Back Pressure Vacuum Breaker
- One-piece Bottom Hex Coupling Nut

The VBF-72-A can be supplied with the following Flushometer Models:

Model Number	Flush Connection Length "L"	Centerline of Supply to Top of Bowl "A"	Centerline of Supply to Trap Primer Outlet "B"	Critical Line to Trap Primer Outlet "C"
110/111 †	8 1/2" (216 mm)	11 1/2" (292 mm)	7" (178 mm)	2 1/4" (57 mm)
113	13" (330 mm)	16" (406 mm)	11" (280 mm)	6 1/4" (159 mm)
115	21" (533 mm)	24" (610 mm)	11" (280 mm)	6 1/4" (159 mm)
116	24" (610 mm)	27" (696 mm)	11" (280 mm)	6 1/4" (159 mm)

† Check with local codes for approval to use VBF-72-A1 Trap Primer with Model Numbers 110 and 111 Flushometers. Some codes require a minimum distance of 6" (153 mm) between the Critical Line of the Vacuum Breaker and the Trap Primer and the Trap Primer Outlet. In these cases specify the Model Numbers 113, 115 or 116.

When ordering a Sloan Flushometer with a Trap Primer, please specify the "TP" Variation; e.g., Model Number 110 TP.

This space for Architect/Engineer approval

The information contained in this document is subject to change without notice.



SLOAN VALVE COMPANY • 10500 SEYMOUR AVE. • FRANKLIN PARK, IL. 60131
Ph: 1-800-9-VALVE-9 or 1-847-671-4300 • Fax: 1-800-447-8329 or 1-847-671-4380
<http://www.sloanvalve.com>

#4 Just ey.

Spring Return Hose Reel, Air, Water, 250 psi,...



REELCRAFT

Spring Return Hose Reel, Air, Water, 250 psi, Hose Capacity 100 ft (3/4 in I.D.)

Item #2CAH6

Mfr. Model #D9399 OLPBW

UNSPSC #40142121

Catalog Page #2526

Country of Origin USA. Country of Origin is subject to change.

Base frame air or water spring-return hose reels include full-width frames, also called box frames, for stable mounting on portable surfaces, for permanent service, or in [View More](#) ✓

Your Price

\$1,166.14 / each

This item requires special shipping, additional charges may apply.

Qty
1

Add to Cart

Add Extended Protection Plan for **\$394.74** / each

[Plan Details & Exclusions](#)

Setup Auto Reorder

Ship Pickup

Expected to arrive Fri. Feb 25.

Ship to 33414 | [Change](#)

Shipping Weight 140 lbs

[Ship Availability Terms](#)

[Add to List](#)

[Add to Quote](#)

Technical Specs

Item	Spring Return Hose Reel	Hose Length	100 ft
Hose Reel Primary Application	Air, Water	Reel Material	Carbon Steel
Maximum Operating Pressure	250 psi	Mounting Location	Floor, Truck
Hose Capacity	100 ft (3/4 in I.D.)	Speed Limited Retraction	No
Drive Type	Spring Return	Overall Height	26 3/8 in
Enclosed	No	Overall Length	26 1/4 in
Includes Hose	Yes	Overall Width	12 in
Hose Inside Dia.	3/4 in	Corrosion-Resistant	Yes
		For Dual Hose	No

Hose Color	Red	Swivel Outlet Size	3/4 in
Hose Cover Material	PVC	Swivel Outlet Thread Size	3/4 in - 14
Hose Fitting A Gender	Male	Swivel Outlet Type	NPT
Hose Fitting A Material	Brass	Swivel Inlet Gender	Female
Hose Fitting A Size	3/4 in	Swivel Inlet Size	3/4 in
Hose Fitting A Type	NPT	Swivel Inlet Thread Size	3/4 in - 14
Hose Fitting B Gender	Male	Reel Width	12 in
Hose Fitting B Material	Brass	Reel Finish	Powder Coated
Hose Fitting B Size	3/4 in	Weight	143 lb
Hose Fitting B Type	NPT	Latch Type	Spring Loaded
Hose Outside Dia.	1 1/16 in	Bearing Construction	Permanently Lubricated
Hose Reel Type	Floor, Vehicle	Maximum Operating Temperature	150 Degrees F
Hose Tube Material	PVC	Fasteners Included	No
Base Motion Type	Stationary	Features	Full Flow Swivel, Latch And Ratchet Are Made Of Heavy Duty Cast Aluminum
Pedestal Type	Dual Pedestal	Spiral Hose Guard	No
Number of Mount Holes	4	Includes Hose Stop	Yes
Reel Color	Red	Includes Leader Hose	No
Twin Hose Compatible	No	Minimum Operating Temperature	32 Degrees F
Swivel Material	Nickel Plated Steel	Mount Base Height	24 1/8 in
Swivel Inlet Type	NPT		
Swivel Outlet Gender	Male		

Mount Base Width	13 3/8 in	Includes	Hose, Bumper
Mounting Hole Center to Center Width	22 1/4 in	Fitting Gender	Male x Male
Mounting Hole Center to Center Height	7 3/4 in	Fitting Size	3/4 in x 3/4 in
Mount Hole Diameter	7/16 in	Hose End Configuration	3/4 in MNPT
Reel Diameter	15 1/2 in	Overall Dimensions	26 1/4 in L x 12 in W x 26 3/8 in H
Fitting Type	NPT x NPT		

Documentation

 [Reelcraft Series 9000 Vehicle Mount Hose Reel Spec Sheet](#)

 [Reelcraft Series D9000 Spring Driven Hose Reel OIPM](#)

Replacement Parts

Model #

Ship to 33414 

REELCRAFT
[Bumper Stop, Material Plastic, Shape Circle, For Reel Series 9000, SD](#)
 Item # 1GYJ1 Mfr. Part # 3-HR1005
 Expected to arrive **Wed. Feb 23.**

Your Price
\$36.46 / each

Qty

Add to Cart

REELCRAFT
[Latch Pawl, Material Aluminum, For Reel Series 7000, 80000, 9000, L 7000](#)
 Item # 23LD53 Mfr. Part # S600018
 Expected to arrive **Thu. Feb 24.**

Your Price
\$67.25 / each

Qty

Add to Cart

REELCRAFT
[Post, For Reel Series 9000, SD](#)

Your Price
\$21.08 / each

Just a
example
of how it
could be
fence & in.



